



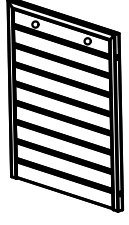
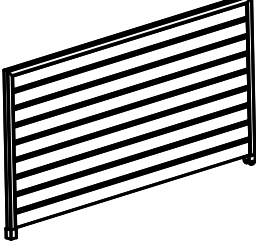
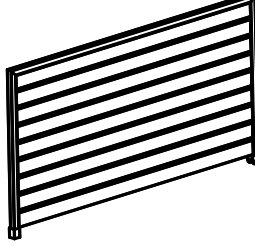
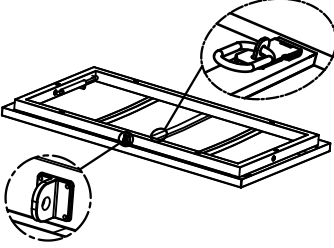

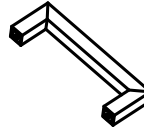
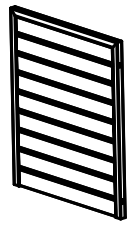
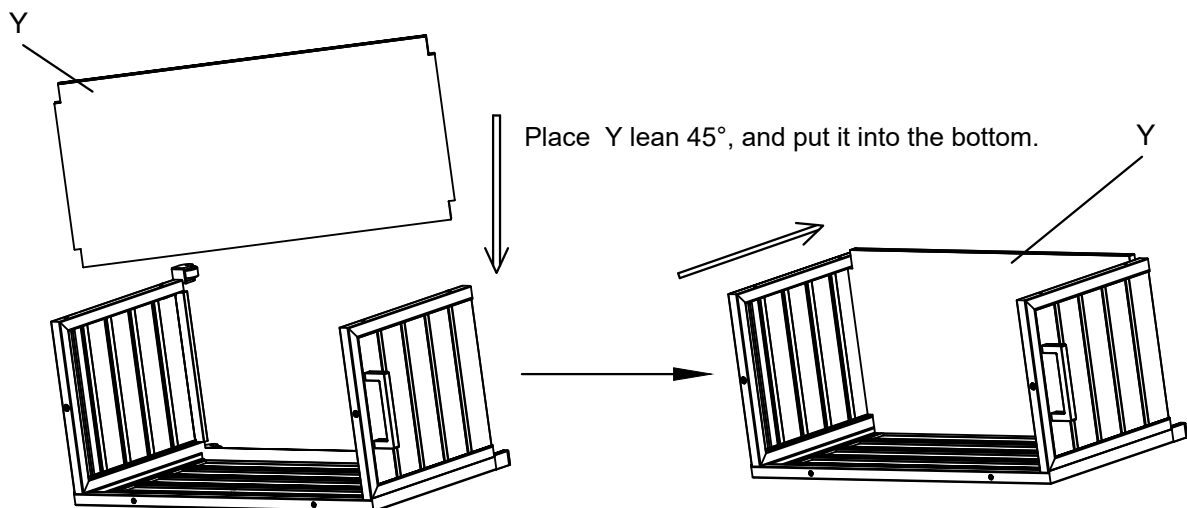
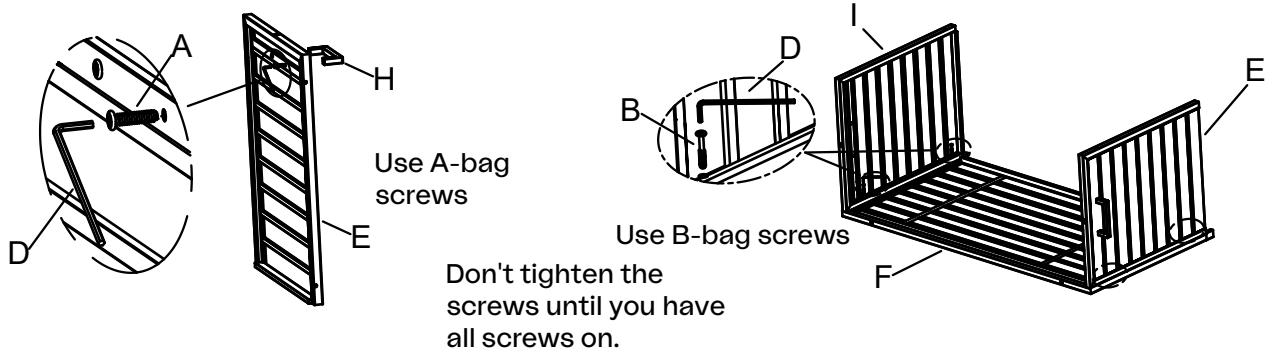
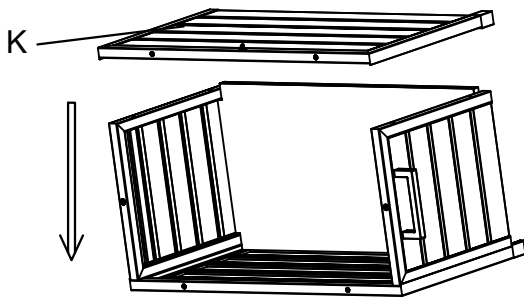
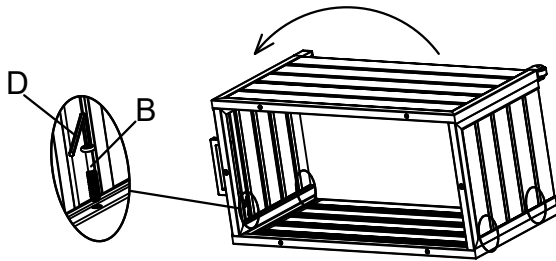
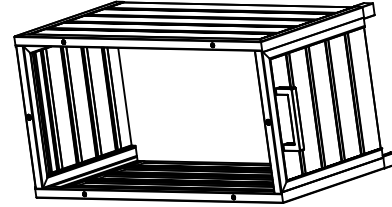


A	B	C	D	E	F	K
A-bag screws	B-bag screws	C-bag screws				
						
M6*25	M6*45	M6*50	4mm			
2PCS	8PCS	6PCS	1PC	1PC	1PC	1PC
R			Y		H	I
						
1PC			1PC		1PC	1PC

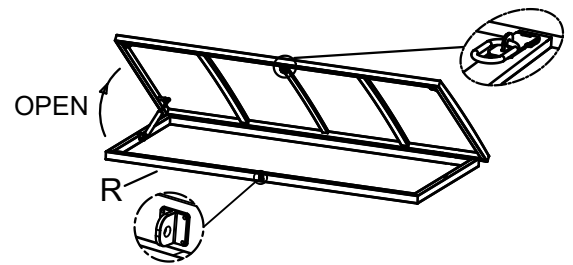
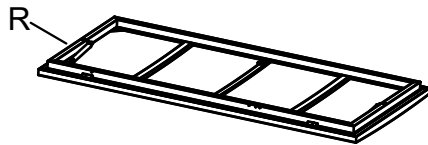




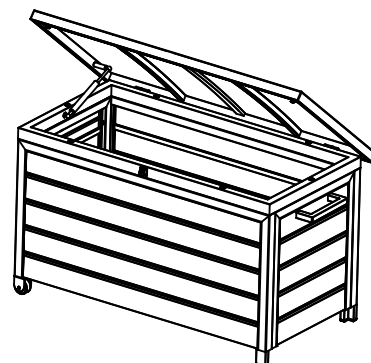
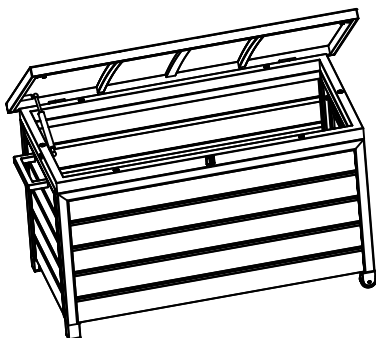
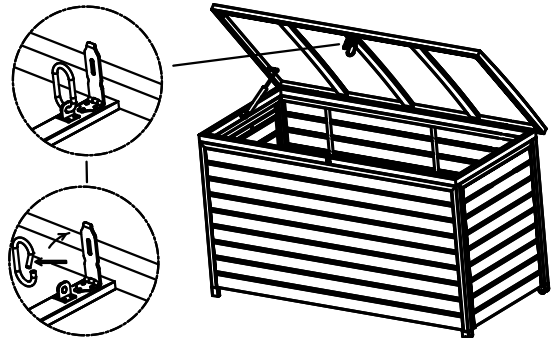
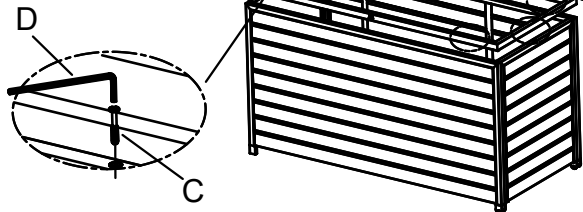
Assemble K.



Use B-bag screws
Turn the box over
and screws on,
but don't tighten.



Use C-bag screws
Don't tighten the
screws until you have
all screws on.



If it's needed, you could just reverse
I&E (other assembly steps are the same)
to get above cushion box, handle on the
right, wheels on the left.