
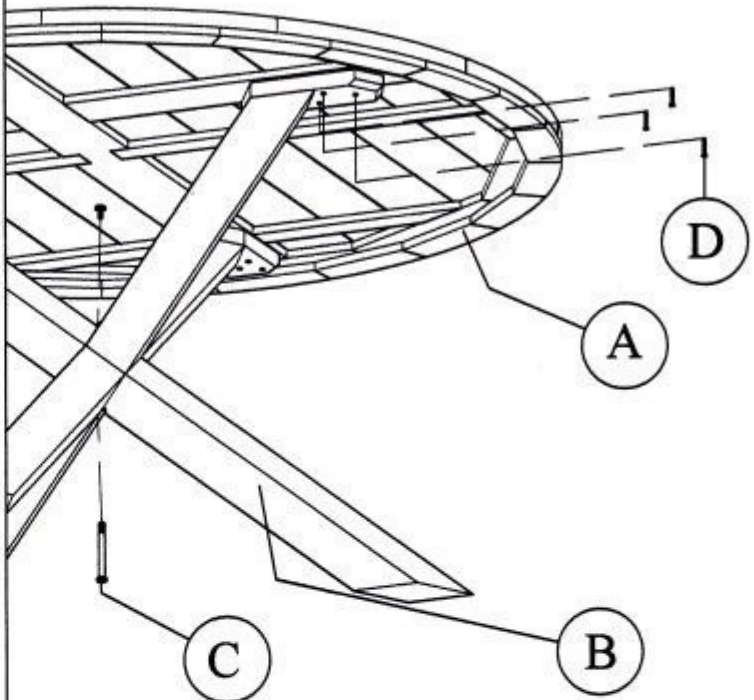




Assembly instruction

| | | | | | | |
|---|---|---|---|---|----|---|
|  | |  | | | | |
| A | 1 | B | 2 | C | 1 |  |
| | | | | D | 15 |  |