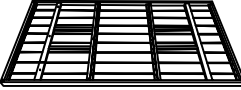
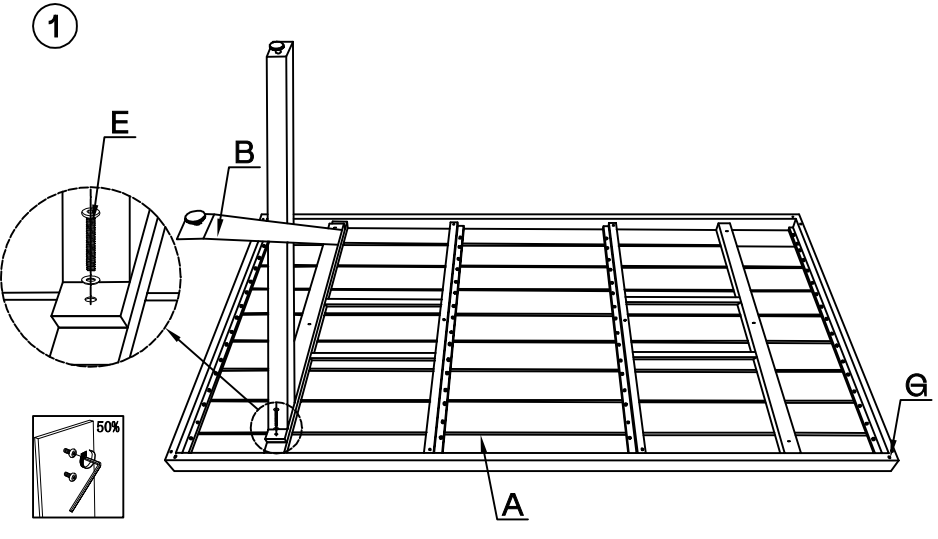

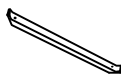


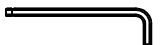


Assembly instruction

A		1	<p>①</p> 
B		2	
C		2	
D	 M6*20	4	
E	 M6*35	6	
F		1	
G	Water pole	→	
			