
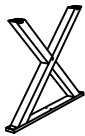



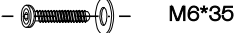
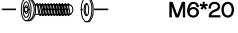

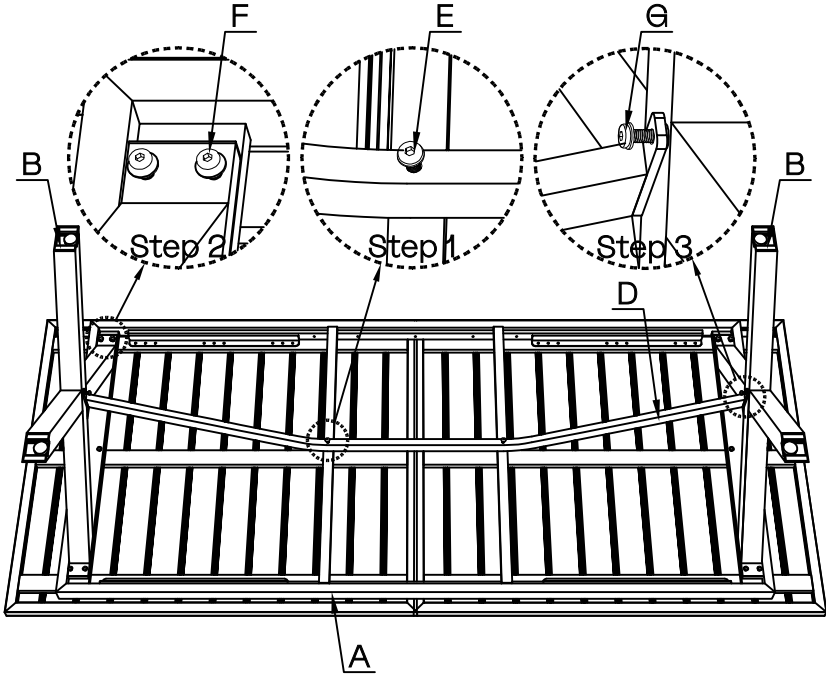


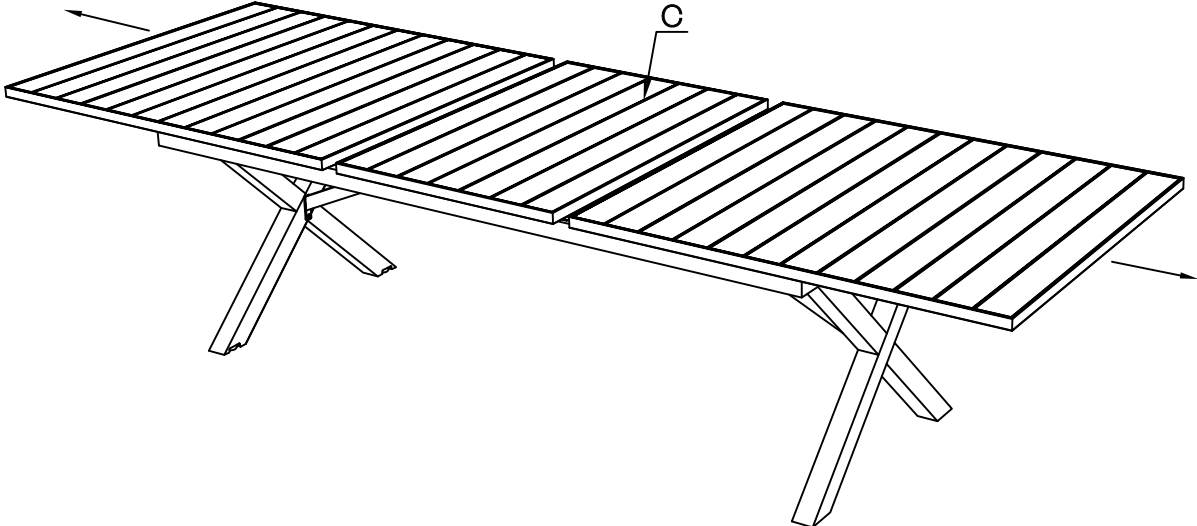
### Assembly instruction

A		1
B		2
C		1
D		1
E	 - M6*55	2
F	 - M6*35	12
G	 - M6*20	2
H		1

①



②



# Brafab

## Assembly instruction

Hillmond table 310\*100\*74.5cm

Article number: 2646-80/2646-50/  
2646-21

3

