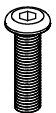

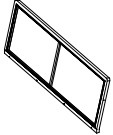

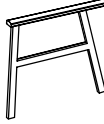

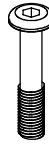

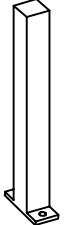

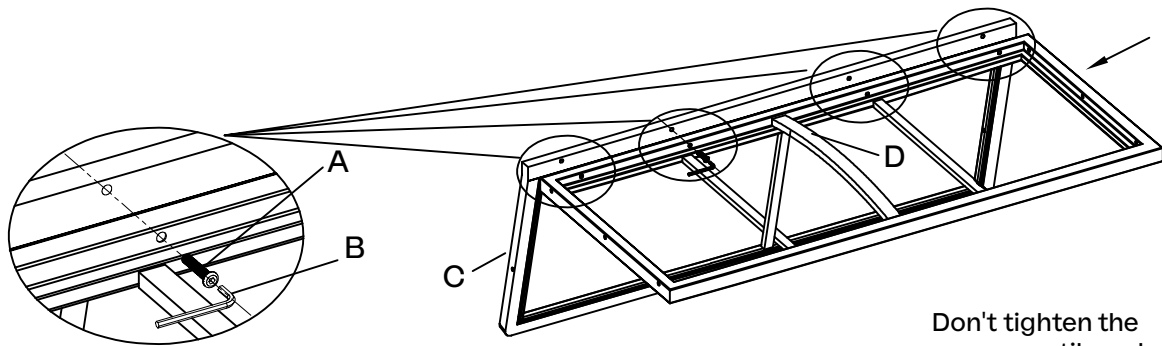
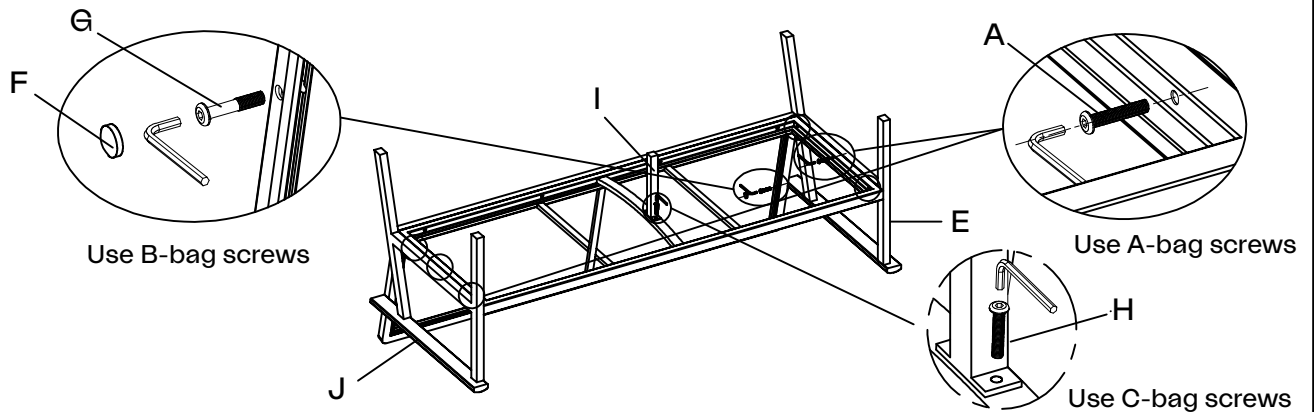


A	B	C	D	E	F	G	H	I	J
A-bag screws					B-bag screws		C-bag screws		
									
M6*45	4mm					M6*65	M6*20		
10PCS	1PC	1PC	1PC	1PC	2PCS	2PCS	2PCS	1PC	1PC



Use A-bag screws

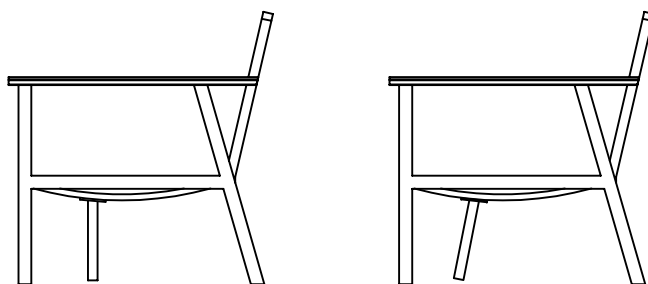
Don't tighten the screws until you have all screws on.



Use B-bag screws

Use A-bag screws

Use C-bag screws



The middle leg should always be vertical to the ground.

