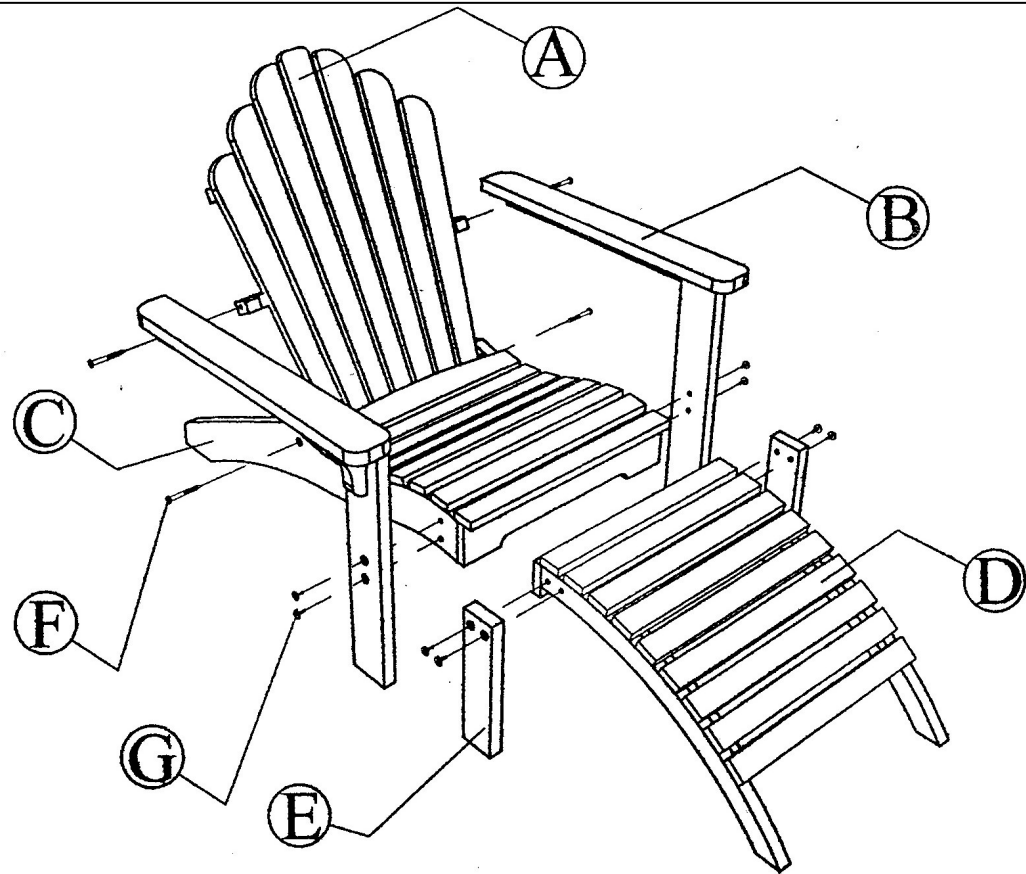
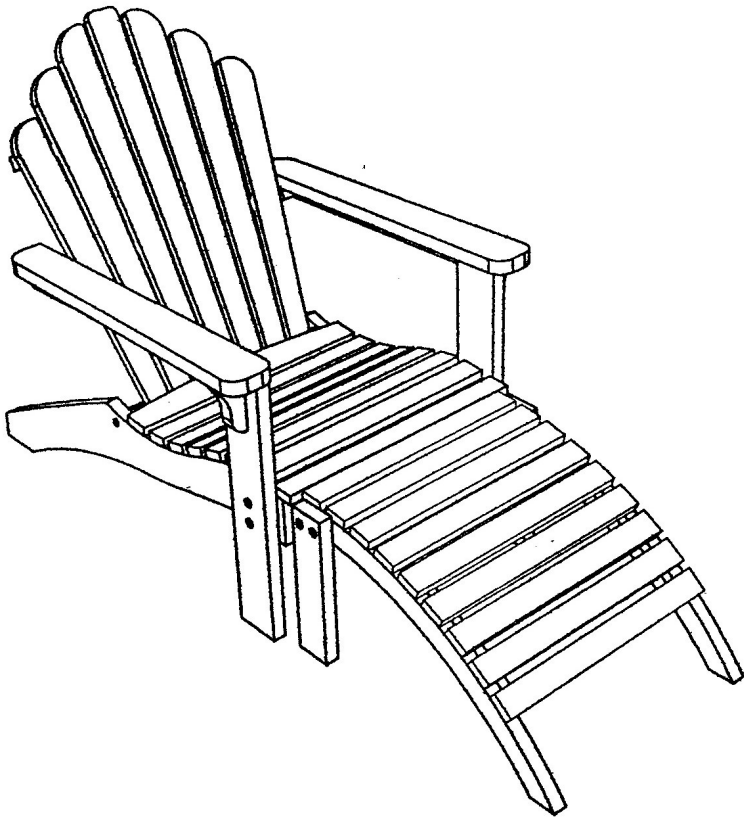
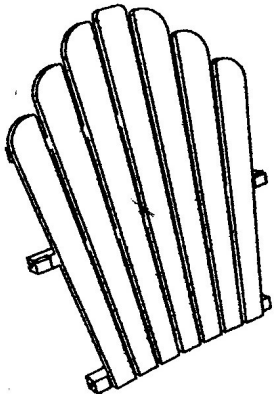
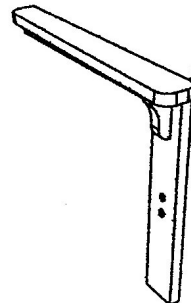
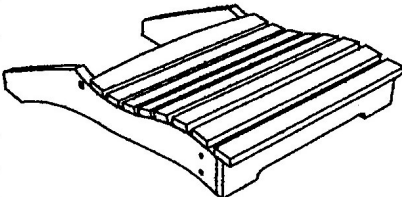
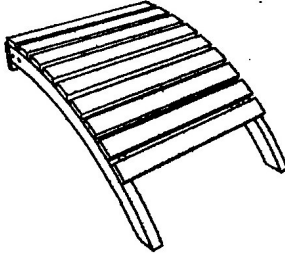

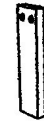


1796 (DJ8243) OPAL (Chapman) Chair



A 1		B 2		C 1		D 1		F 4	
						E 2		G 8	