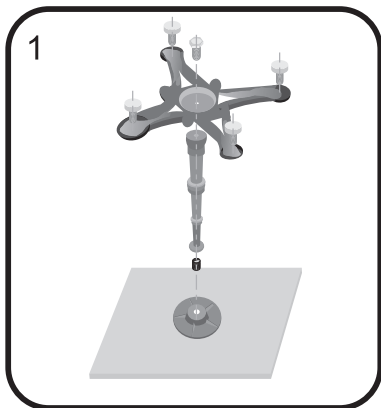
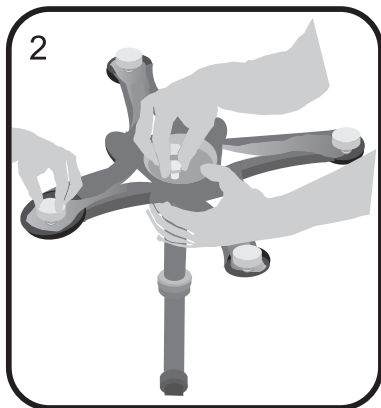


# Brafab

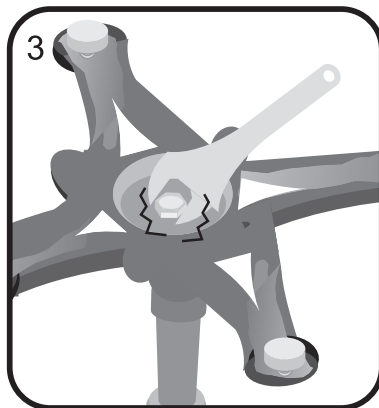
THINKING OUTSIDE



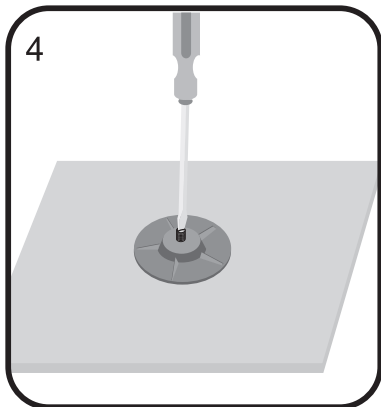
1  
Installation instructions for the round marble tables.



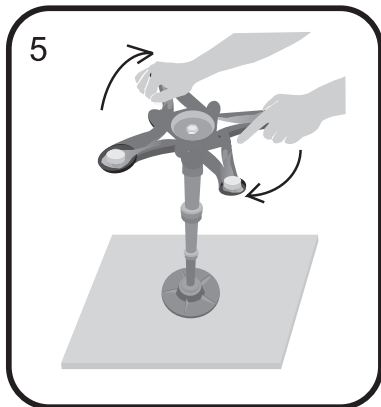
2  
Hold your foot against a table leg with one hand and insert the bolt with the other.



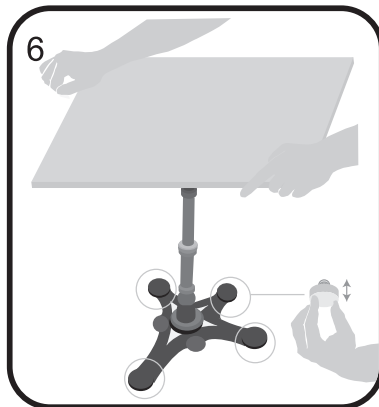
3  
Tighten the bolt with a spanner.



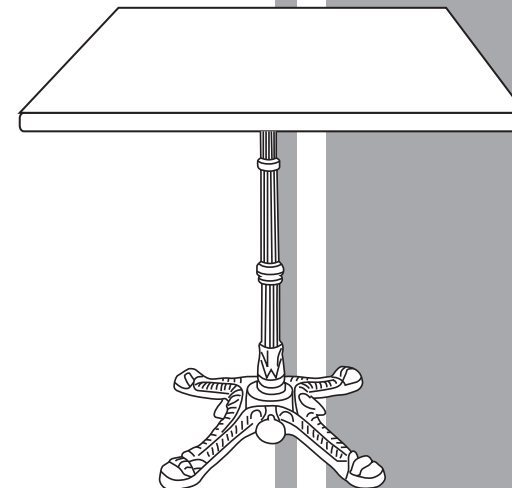
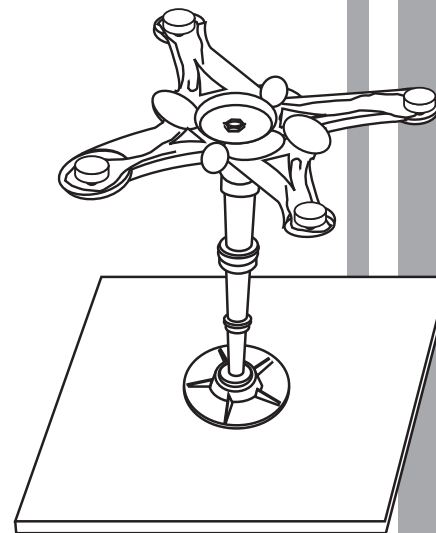
4  
Attach the other screw on the desk with a screwdriver.



5  
Fit the feet and legs on the table by turning them around clockwise.



6  
Check that the table top securely and adjust the table legs.



MARBLE TABLE  
Bord 70x70cm



5846  
5846-4  
5846-8

