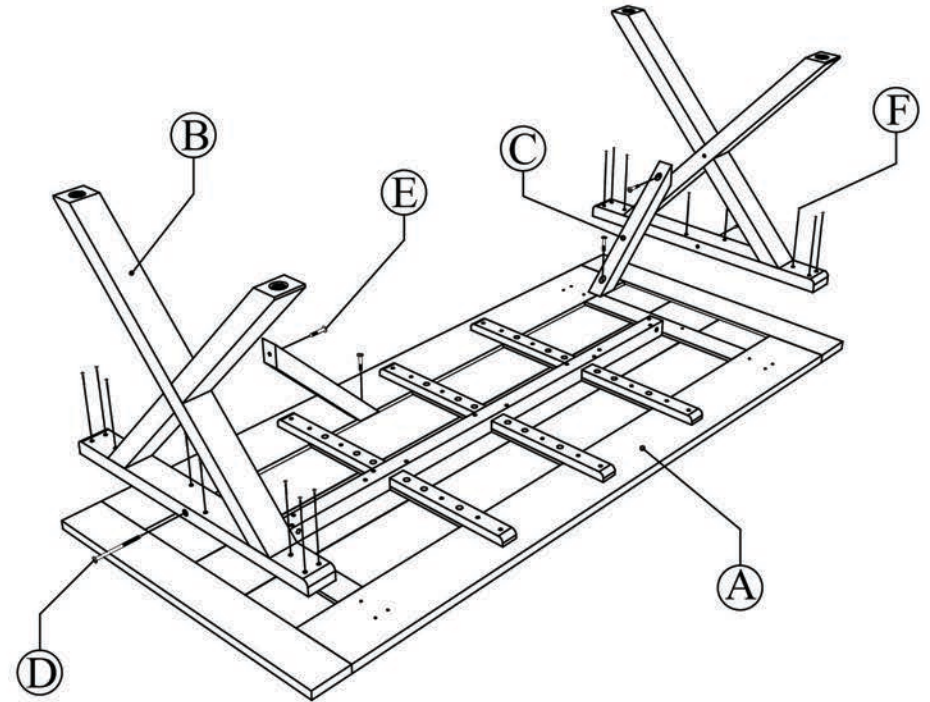
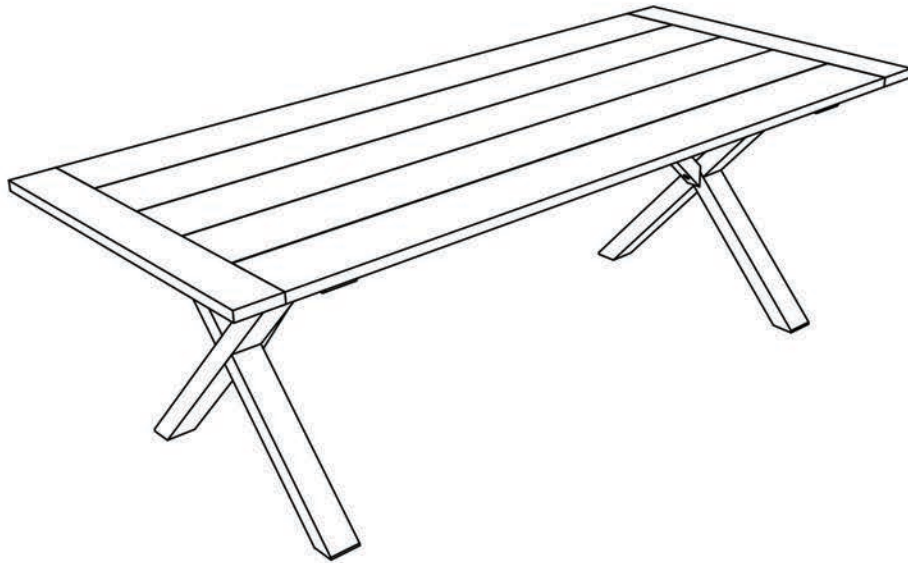
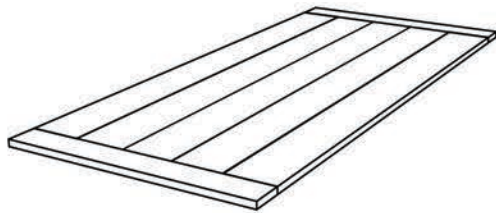


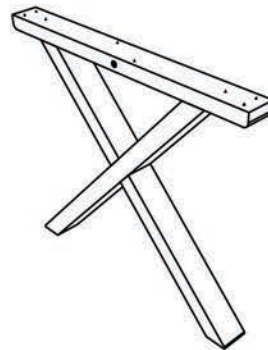
### Assembly instruction



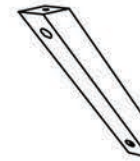
A 1



B 2



C 2



D 2



E 4



F 16

