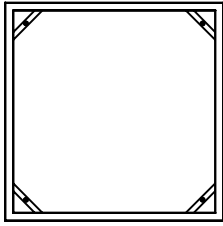
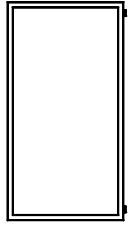

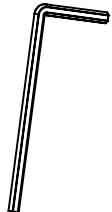


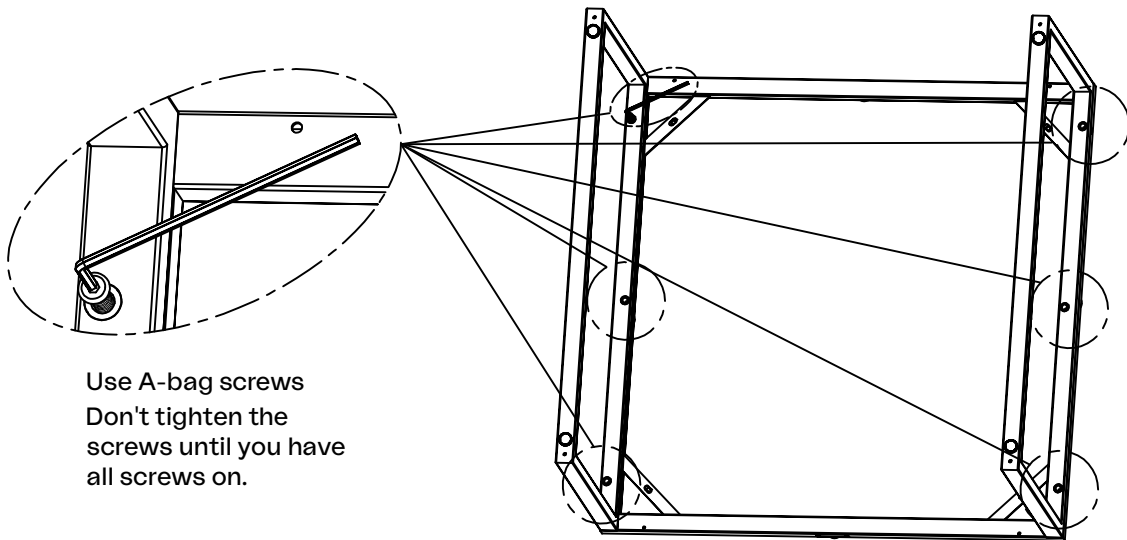
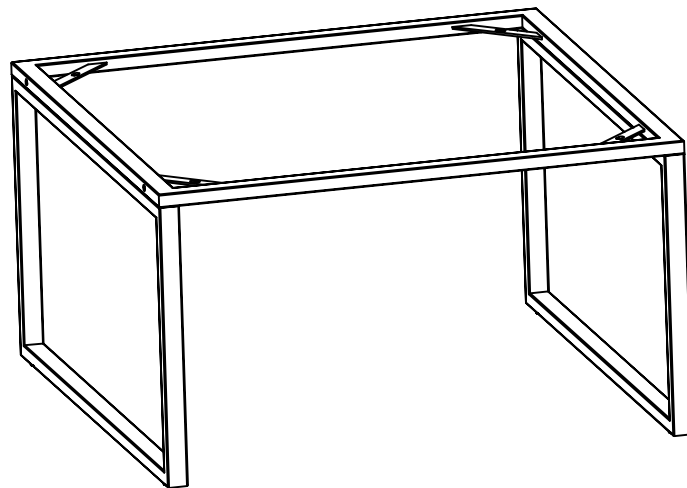


A	B	C	D	E	F
		A-bag screws		B-bag screws	
		 M6*30		 M6*12	
1PC	2PCS	6PCS	1PC	4PCS	4PCS



Use A-bag screws
Don't tighten the
screws until you have
all screws on.



Note: B bag screws are used for assembling HPL top.