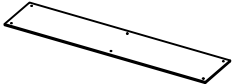
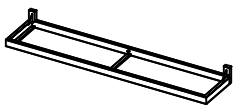
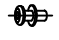
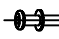

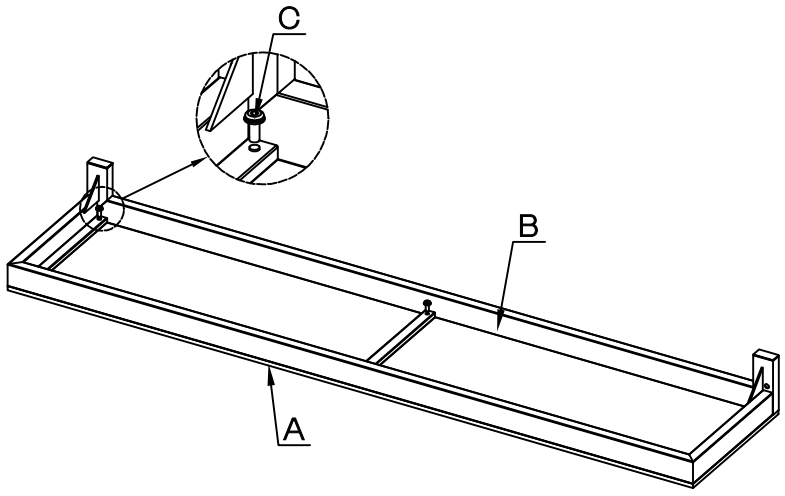


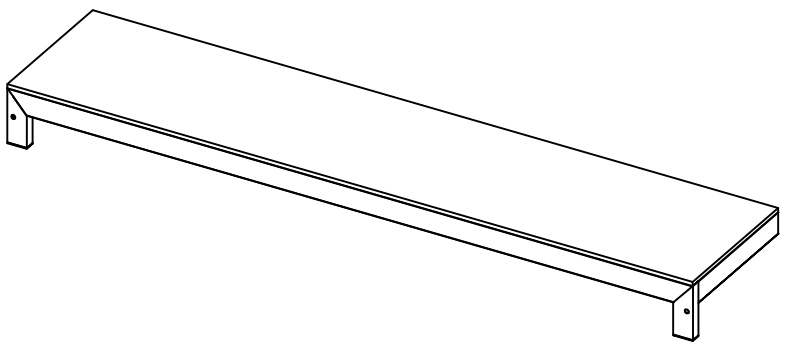
Assembly instruction

A		1
B		1
C	 M6*15	6
D	 M6*30 black	2
E	 M6	1

①



②



Assembly instruction

A1	
B1	
C1	

① Multi-purpose Demo

The diagram illustrates the assembly of the Fornax shelf unit. It shows a main unit with a front panel (A1) and a top surface (B1). Two shelves (C1) are shown being placed on top of the unit. A circular inset labeled D shows a close-up of a corner joint where a shelf is attached to the side panel.