

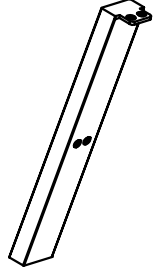
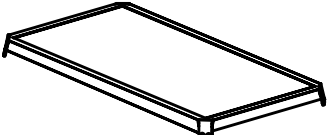

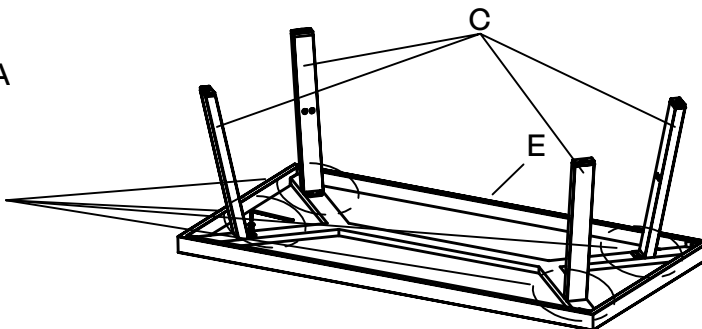
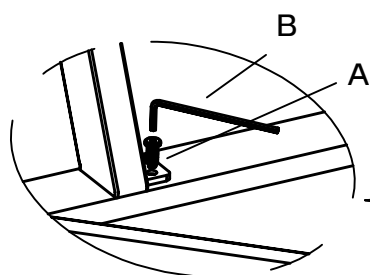


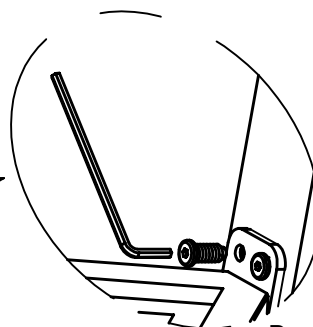
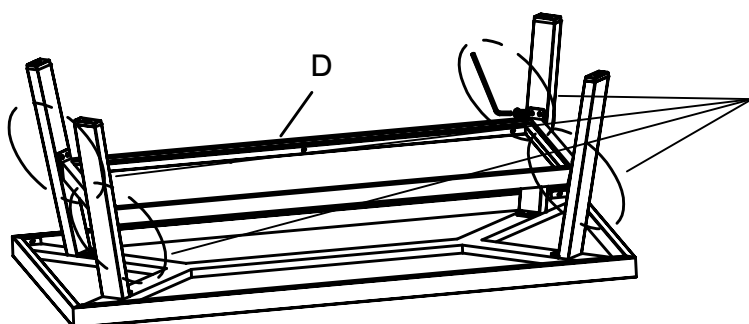
### Assembly instruction

Article number:4156-73-70/  
4156-21-21

| A   | B   | C   | D   | E   |
|---|---|---|---|---|
|  |  |  |  |  |
| M6*20   | 4mm   |   |   |   |
| 16PCS   | 1PC   | 4PCS  | 1PC   | 1PC   |



Don't tighten the screws until you have all screws on.



Don't tighten the screws until you have all screws on.

