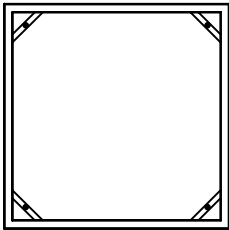
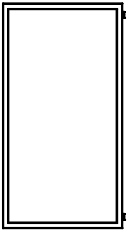




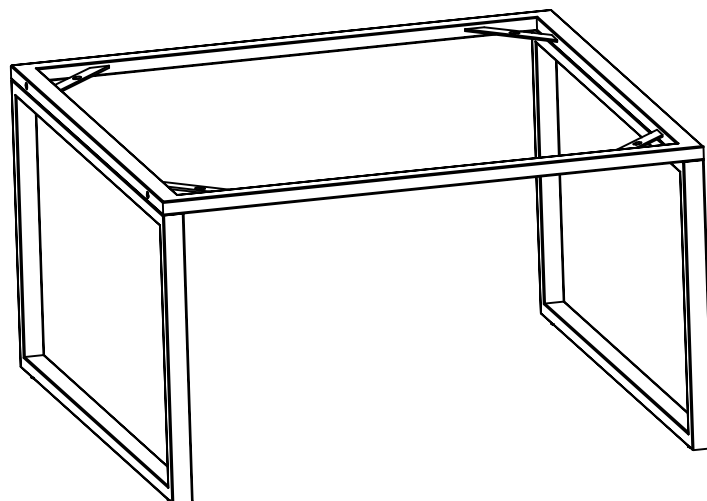
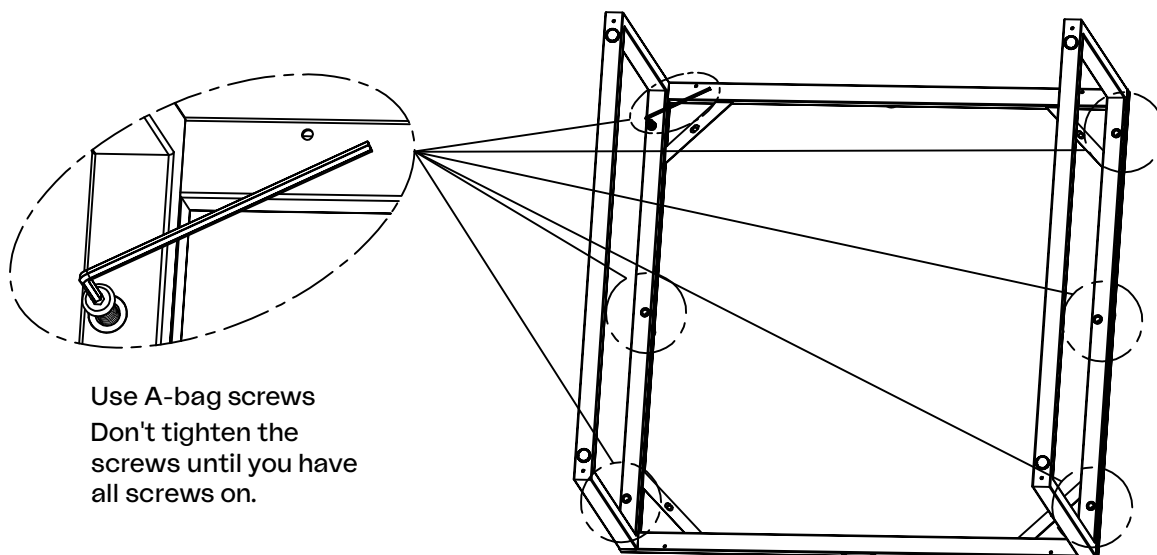


A	B	C	D	E	F
		A-bag screws		B-bag screws	
					
		M6*30		M6*12	
1PC	2PCS	6PCS	1PC	4PCS	4PCS



Note: B bag screws are used for assembling HPL top.