
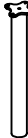
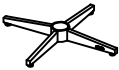
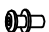





Assembly instruction

A	 $\phi 500$ mm	1	<p>①</p>
B	 562mm	1	
C	 500*500	1	
D	 M6*20	4	
E	 M8*25	1	
F	 M6	1	
G	 M8	1	

②

③